



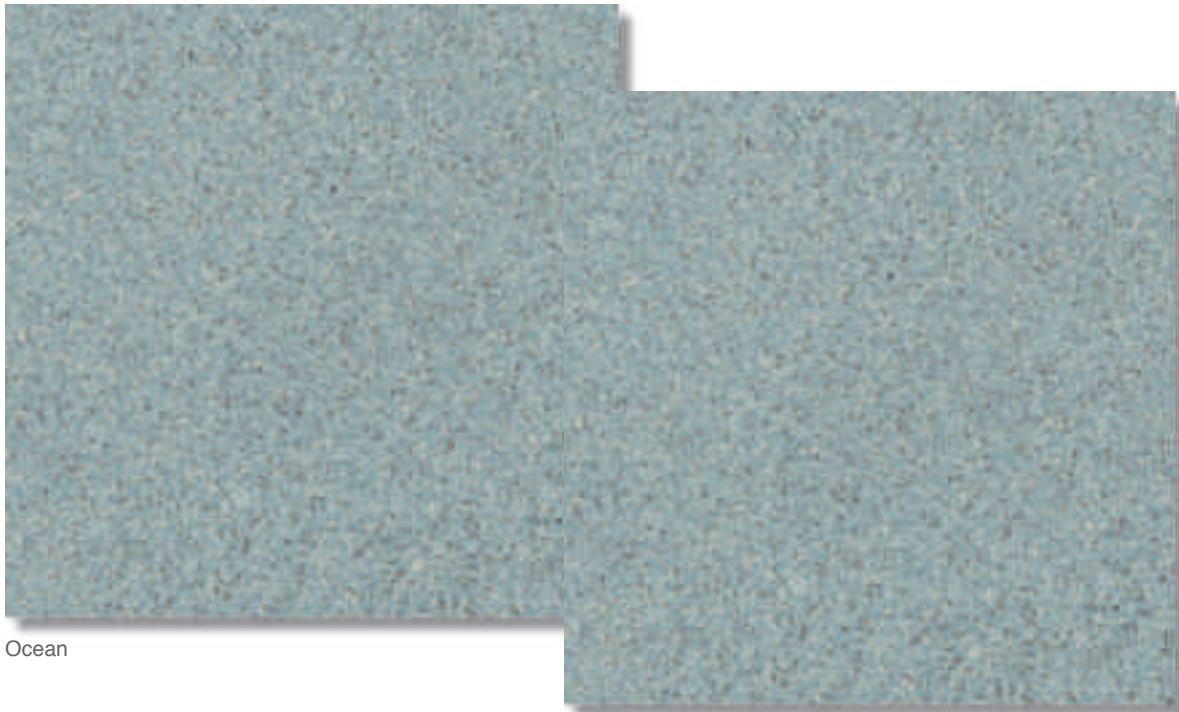
Aeropuerto Isla del Hierro (España)



Aeropuerto Sala Alfa (México)

M 20 x 20 / 30 x 30 / 40 x 40
M 8 x 8" / 12 x 12" / 16 x 16"

Porcelánico
Porcelain



Ocean

Ocean P.



Coco/Ocean Listelo
12,5 x 40 cm.
EU4



A23



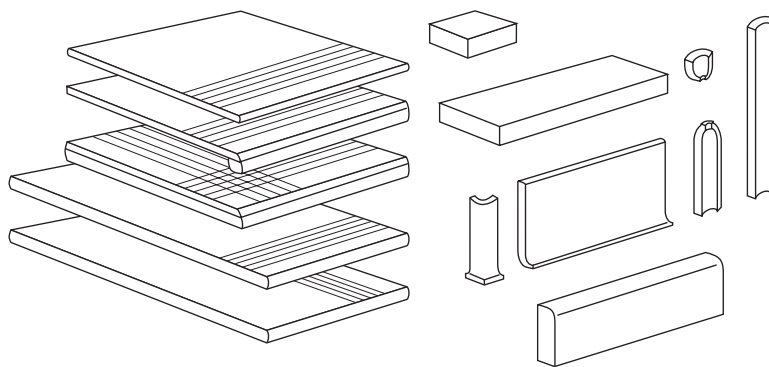
Coco/Ocean Taco
12,5 x 12,5 cm.
EU8



A20



Ocean A5



M 20 x 20 cm. / 8 x 8"

	Cod.	Ref.	P/C
Base 8 mm. Luciente	J96	A33	
Base 13 mm. Luciente	J97	A43	
Base Ext. 8 mm. Luciente*	OQF	A34	
Base Ext. 13 mm. Luciente*	OQK	A44	
Base A5 8 mm. Natural*	JR0	A35	
Base A5 13 mm. Natural*	JR2	A45	
Cuña 2,5 x 2,5 cm.	EMG	A2	50
Escocia 2,5 x 19,8 cm.	EMH	A7	50
Áng. Interno 3 x 10 cm.	Y10	A7	50
Áng. Externo 3 x 10 cm.	Y05	A7	50
Rod. San. 10 x 19,8 cm.	Y15	A7	20

30 x 30 cm. / 12 x 12"

	Cod.	Ref.	P/C
Base 7 mm. Natural*	WJH	A33	
Peldaño F. 30 x 30 cm.	O9T	A15	14
Taco Nat. 7,5 x 7,5 cm.	O6P	A0	30
Listelo Nat. 7,5 x 30 cm.	O5V	A3	20
Rodapié Nat. 7,5 x 30 cm.	O6F	A4	20
Ocean Ext. 30 x 30 cm.	2DG	A33	
Ocean C2 30 x 30 cm.	2DH	A33	

*** 40 x 40 cm. / 16 x 16"**

	Cod.	Ref.	P/C
Base Natural*	J17	A36	
Base Pulida	K16	A58	
Peldaño C2 40 x 40 cm.	3QW	A19	8
Taco Nat. 8 x 8 cm.	HA8	A1	30
Taco Pul. 8 x 8 cm.	ID1	A3	30
Listelo Nat. 8 x 40 cm.	H75	A5	20
Listelo Pul. 8 x 40 cm.	I84	A12	20
Rodapié Nat. 8 x 40 cm.	H17	A8	20
Rodapié Pul. 8 x 40 cm.	I16	A15	20
Peldaño Ext. 40 x 40 cm.	3QX	A19	8
Peldaño Nat. 40 x 40 cm.	H53	A19	8
Peldaño Pul. 40 x 40 cm.	I52	A26	8
Top Nat. 40 x 40 cm.	FAJ	A24	8
Top Pul. 40 x 40 cm.	FAW	A28	8
Doble Top Nat. 40 x 40 cm.	FCT	A40	6
Doble Top Pul. 40 x 40 cm.	FBV	A41	6
Ocean C2 40 x 40 cm.	2CV	A36	
Ocean Ext. 40 x 40 cm.	2DW	A36	

* Peldaño C2 y Ext. 40 x 40, consultar tarifa / Stairtrend C2 and Ext. 40 x 40 please see price list.

Ocean



POLIVALENTE



PORCELÁNICO



TODO MASAS



ESPESOR



ESPESOR



ESPESOR



ESPESOR



ESPESOR



RECTIFICADO



JUNTA



JUNTA



ANTIHELDO



RESISTENTE



DIN 51130



DIN 51130



DIN 51130



DIN 51130



UNE ENV 12633



UNE ENV 12633

JR0/JR2

OQK/OQF

J96/J97

WJH/J17

EXT. OQK/OQF

e-Ceramica

Contact us for wholesale prices or cooperation:

Zoran Milić

E-mail: info@e-ceramica.com

Mobile : + 386 41 684 696

Telephone : + 386 2 780 54 90

Fax : + 386 2 779 76 61

Merilly d.o.o. ; Vodnikova ulica 2 ; Si 2250 Ptuj ; Slovenia

Web :

• Americas

[Ceramic tiles in Argentina](#)
[Ceramic tiles in Bahamas](#)
[Ceramic tiles in Bolivia](#)
[Ceramic tiles in Canada](#)
[Ceramic tiles in Chile](#)
[Ceramic tiles in Colombia](#)
[Ceramic tiles in Costa Rica](#)
[Ceramic tiles in Cuba](#)
[Ceramic tiles in Ecuador](#)
[Ceramic tiles in El Salvador](#)
[Ceramic tiles in Guatemala](#)
[Ceramic tiles in Honduras](#)
[Ceramic tiles in Jamaica](#)
[Ceramic tiles in México](#)
[Ceramic tiles in Nicaragua](#)
[Ceramic tiles in Panamá](#)
[Ceramic tiles in Paraguay](#)
[Ceramic tiles in Perú](#)
[Ceramics in Re. Dominicana](#)
[Ceramics in Trin. & Tobago](#)
[Ceramic tiles in Uruguay](#)
[Ceramic tiles in USA](#)
[Ceramic tiles in Venezuela](#)

• Europe

[Ceramic tiles in BiH](#)
[Ceramic tiles in Crna Gora](#)
[Ceramic tiles in España](#)
[Ceramic tiles in France](#)
[Ceramic tiles in Germany](#)
[Ceramic tiles in Hrvatska](#)
[Ceramic tiles in Ireland](#)
[Ceramic tiles in Kosove](#)
[Ceramic tiles in Liechtenstein](#)
[Ceramic tiles in Magyarország](#)
[Ceramic tiles in Македонија](#)
[Ceramic tiles in Magedoni](#)
[Ceramic tiles in Malta](#)
[Ceramic tiles in Österreich](#)
[Ceramic tiles in Russia](#)
[Ceramic tiles in Schweiz](#)
[Ceramic tiles in Suisse](#)
[Ceramic tiles in Shqiperi](#)
[Ceramic tiles in Slovenija](#)
[Ceramic tiles in Србија](#)
[Ceramics in United Kingdom](#)

• Asia

[Ceramic tiles in India](#)
[Ceramic tiles in Pakistan](#)
[Ceramic tiles in Philippines](#)
[Ceramic tiles in Singapore](#)
[Ceramic tiles in Turkiye](#)

• Africa & Australia

[Ceramic tiles in Australia](#)
[Ceramic tiles in Cameroon](#)
[Ceramic tiles in Ghana](#)
[Ceramics in Guinea Ecuatorial](#)
[Ceramic tiles in Swaziland](#)
[Ceramic tiles in New Zealand](#)
[Ceramic tiles in Nigeria](#)